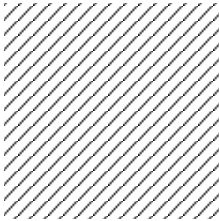


Straßenbeleuchtung

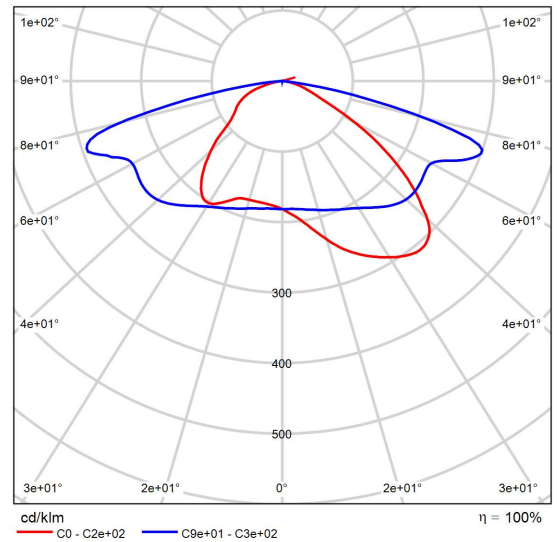
Straßenbeleuchtung
LED Umstellung 2021

Product data sheet

LED Europa Keoma Epoche Hängeleuchte



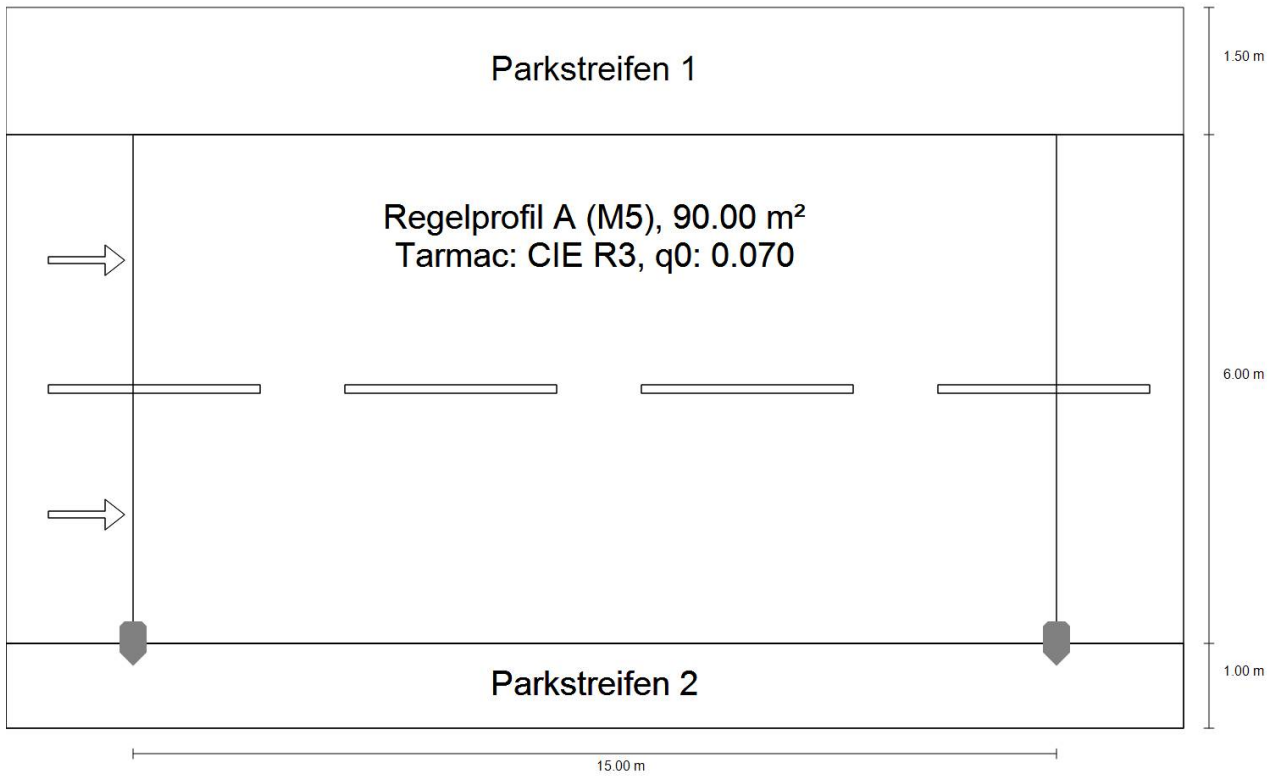
P	40.0 W
Φ_{Lamp}	6000 lm
$\Phi_{Luminaire}$	5999 lm
η	99.98 %
Luminous efficacy	150.0 lm/W
CCT	3000 K
CRI	70



Polar LDC

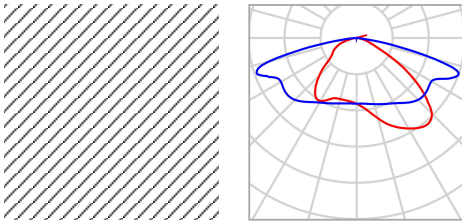
11 01 01 01 A2 Hängleuchten liefern M5

Summary (according to EN 13201:2015)



11 01 01 01 A2 Hängeleuchten liefern M5

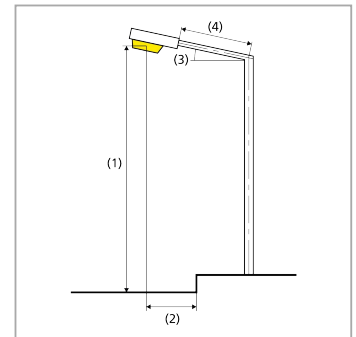
Summary (according to EN 13201:2015)



Manufacturer	LED Europa	P	40.0 W
Article name	Keoma Epoche Hängeleuchte	Φ_{Lamp}	5600 lm
Fitting	user-defined	$\Phi_{Luminaire}$	5599 lm
		η	99.98 %

Keoma Epoche Hängeleuchte (single side bottom)

Pole distance	15.000 m
(1) Light spot height	8.000 m
(2) Light point overhang	0.000 m
(3) Boom inclination	0.0°
(4) Boom length	0.000 m
Annual operating hours	4000 h: 100.0 %, 40.0 W
Consumption	2680.0 W/km
ULR / ULOR	0.00 / 0.00
Max. luminous intensities Any direction forming the specified angle from the downward vertical, with the luminaire installed for use.	≥ 70°: 468 cd/klm ≥ 80°: 230 cd/klm ≥ 90°: 0.00 cd/klm
Luminous intensity class The luminous intensity values in [cd/klm] for calculation of the luminous intensity class refer to the luminaire luminous flux according to EN 13201:2015.	-
Glare index class	D.3



11 01 01 01 A2 Hängeleuchten liefern M5

Summary (according to EN 13201:2015)

Results for valuation fields

	Symbol	Calculated	Target	Check
Regelprofil A (M5)	L_{av}	0.51 cd/m ²	≥ 0.50 cd/m ²	✓
	U_o	0.63	≥ 0.35	✓
	U_l	0.80	≥ 0.40	✓
	TI	2 %	≤ 15 %	✓
	R_{Et}	0.70	≥ 0.30	✓

A maintenance factor of 0.80 was used for calculating for the installation.

Results for energy efficiency indicators

	Symbol	Calculated	Consumption
11 01 01 01 A2 Hängeleuchten liefern M5	D_p	0.037 W/lx*m ²	-
Keoma Epoche Hängeleuchte (single side bottom)	D_e	1.8 kWh/m ² yr,	160.0 kWh/yr